

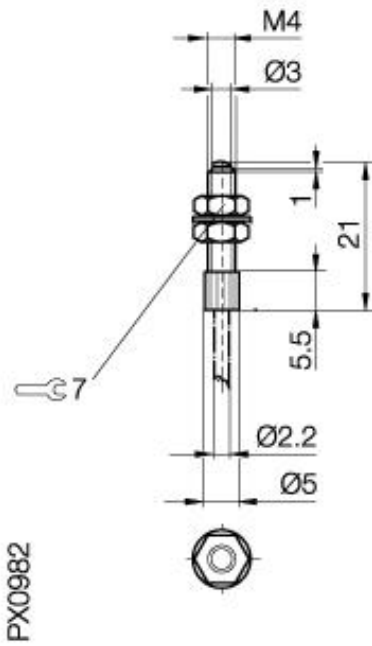
Accessories: Fiberoptic BFO D22-LA-CC-30

Common Data

Version	End fitting without lens
Usable with	with fiber optic BFO D22-LD-EAK-10-20
Ambient temperature	-40°C...+70°C
Sensing range	450mm

Mechanical Data

Measurements WxHxD or Dia x D	M4 x 21
Material	stainless steel, glass
Mounting	with thread M4



Datasheet number::

Definitions see general catalog.
If not otherwise noted, ratings according to
IEC 60947-5-2 (DIN EN60947-5-2)

Balluff GmbH
Schurwaldstrasse 9
73765 Neuhausen a.d.F.
Phone (07158) 173-0 Fax (07158) 5010

Datenblatt by CD-ROM - 04/2007

BALLUFF
sensors worldwide